

OPERATOR'S MANUAL

CHEMFLO 5

INCLUDING: OPERATION, INSTALLATION AND MAINTENANCE

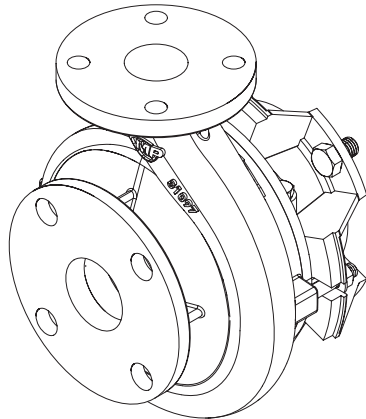
RELEASED: 8-27-21
(REV: A)

CHEMFLO® 5 (2" X 1-1/2")

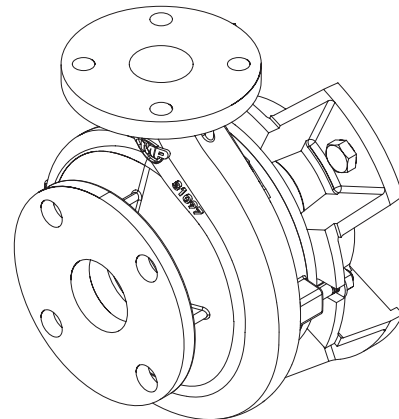


**READ THIS MANUAL CAREFULLY BEFORE INSTALLING,
OPERATING OR SERVICING THIS EQUIPMENT.**

It is the responsibility of the employer to place this information in the hands of the operator. Keep for future reference.

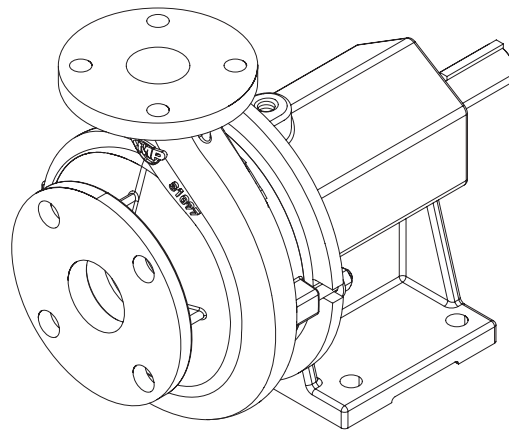


145TC



184TC and 215TC

CC Models



Pedestal Models

Figure 1

GENERAL DESCRIPTION

CHEMFLO 5:**2" x 1-1/2" End Suction Centrifugal Pump**

Made with high quality investment cast 316 stainless steel components, the ChemFlo® series of pumps are designed to be applied in a wide range of pumping applications where stainless steel is required.

ChemFlo® 5 pumps utilize a semi-open impeller design to allow for passage of larger solid sizes and a totally enclosed impeller to meet high efficiency standards. Several seal options are available in addition to the standard type 2100 carbon / ceramic / Viton mechanical seal.

SPECIFICATIONS

Suction And Discharge	2" x 1-1/2 ANSI 150# Flange
Application	Agricultural, Commercial, Industrial, Marine, OEM
Materials of construction	316 stainless steel
Flow	
CC.....	Up to 300 gpm / (1136 lpm)
Pedestal	Up to 300 gpm / (1136 lpm)
Head Feet	
CC	Up to 157 ft (49 m)
Pedestal.....	Up to 157 ft (49 m)
Impeller	
CC and Pedestal	6.18" (157 mm) enclosed, cast 316 stainless steel
Motor	Up to 10 HP (7.45 kw)
Drive Options	Close coupled 145TC Close coupled 184TC Close coupled 215TC Pedestal PumPAK® (without motor)
Seal	Standard carbon / Ceramic / Viton Special seal material combinations available (Consult factory)
Drive Sleeve	316 stainless steel
Options	Tap for recirculation or seal flush Hydraulic motor driven pedestals and Shaft driven pedestals

OPERATING AND SAFETY PRECAUTIONS

READ, UNDERSTAND, AND FOLLOW THIS INFORMATION TO AVOID INJURY AND PROPERTY DAMAGE.



⚠ WARNING Be sure hoses and other components can withstand fluid pressures developed by this pump. Check any hoses for damage or wear. Be certain dispensing device is clean and in proper working condition.

⚠ WARNING **IMPROPER GROUNDING.** Can increase spark and electrical shock risk, resulting in severe injury or death. Ground pump and pumping system.

- The pumping system must be grounded when it is pumping, flushing, recirculating, or spraying flammable materials such as paints, solvents, lacquers, etc. or used in a location where surrounding atmosphere is conducive to spontaneous combustion. Ground the dispensing valve or device, containers, hoses, and any object to which material is being pumped.
- Secure pump, connections, and all contact points to avoid vibration and generation of contact or static spark. Consult local building codes and electrical codes for specific grounding requirements. After grounding, periodically verify continuity of electrical path to ground. Test with an ohmmeter from each component (e.g., hoses, piping, pump, clamps, motor, base plate, etc.) to ground to ensure continuity. Ohmmeter should show 0.1 ohms or less.

⚠ WARNING **HAZARDOUS PRESSURE.** Can result in serious injury or property damage. Do not service or clean pump while the system is pressurized.

⚠ WARNING **HAZARDOUS MATERIALS.** Can cause serious injury or property damage. Do not attempt to return a pump to the factory or service center that contains hazardous material. Safe handling practices must comply with local and national laws and safety code requirements. Obtain Material Safety Data Sheets on all materials from the supplier for proper handling instructions.

⚠ CAUTION Check pump seals, elastomers, and all wetted parts to assure compatibility before using commission of the product.

- Verify the chemical compatibility of the pump wetted parts and the substance being pumped, flushed or recirculated. Chemical compatibility may change with temperature and concentration of the chemical(s) within the substances being pumped, flushed or circulated. For specific fluid compatibility, consult the chemical manufacturer.

⚠ CAUTION Maximum temperatures are based on mechanical stress of seals and elastomers only. Certain chemicals will significantly reduce maximum safe operating temperature. Consult the chemical manufacturer for chemical compatibility and temperature limits.

⚠ CAUTION Be certain all operators of this equipment have been trained for safe working practices, understand it's limitations, and wear safety goggles / equipment when required.

⚠ CAUTION Do not use the pump for the structural support of the piping system. Be certain the system components are properly supported to prevent stress on the pump parts.

⚠ CAUTION Prevent unnecessary damage to the pump. Do not allow pump to operate in a dry run condition or under cavitating conditions for extended periods.

⚠ CAUTION Use only genuine MP Pumps® replacement parts to assure compatible pressure rating and longest service life.

⚠ CAUTION The mechanical seal in the pump must not be operated dry.

⚠ CAUTION If a pump will be idle in freezing weather it should be drained or filled with the proper anti-freeze.

NOTICE Pump should be installed in the position consistent with the manufactures specifications.

NOTICE Re-torque all fasteners before operation. Creep of housing and gasket materials may cause fasteners to loosen. Re-torque all fasteners to insure against fluid leakage.

⚠ WARNING = Hazards or unsafe practices which could result in severe personal injury, death or substantial property damage.

⚠ CAUTION = Hazards or unsafe practices which could result in minor personal injury, product or property damage.

NOTICE = Important installation, operation or maintenance information.

STORAGE PRECAUTIONS

Do not store filled with fluid at or below freezing temp of process fluid.

INSTALLATION

INSTALLATION FOR CHEMFLO END SUCTION PUMPS:

MP CHEMFLO centrifugal pumps should be installed with a flooded suction as near to the liquid source as possible. A MP CHEMFLO is not a self-priming pump. If the liquid source is located below the pump a footvalve and some provision for priming must be used. The pump housing and suction line must be completely filled with liquid before operation.

Piping should include shutoff valves and pipe unions on both the discharge and suction to isolate the pump for maintenance.

Provisions for suction and discharge pressure gages are recommended for troubleshooting. The suction line should be as short as possible, at least as large as the pump suction connection, include as few fittings as possible and those should have a long radius to keep friction losses at a minimum. If a footvalve or strainer is included the FREE AREA should be at least three times the area of the pump suction connection. The suction piping must be absolutely free of leaks.

Both suction and discharge piping should be supported independently of the pump. never draw or pull pipe into place, this may impose a strain that will result in misalignment between the pump and driver or otherwise adversely affect the operation of the pump. After connecting piping to the pump rotate the shaft several times to check for rubbing or binding.

INSTALLATION FOR CHEMFLO PUMPAKS:

If it is necessary to install the pump above the level of the liquid, a priming line should be connected directly to the suction line. A check valve must be used in conjunction with a priming line or the priming liquid will merely pass through the suction line to the liquid source. The priming of the suction line evacuates the air in the suction line and pump. This series of pumps will not handle air and therefore all air must be displaced from the suction line and pump before the pump can operate. Be sure that the pump housing is filled with liquid before starting the pump. **THE MECHANICAL SEAL IN THE PUMP MUST NOT BE OPERATED DRY.**

Pipe or hose of the same size (or larger) as inlet and outlet openings should be used on the installation. When using pipe, avoid sharp bends and use long radius elbows wherever possible. This will keep friction loss at a minimum and allow the pump to operate more effectively. Use pipe dope on all connections and be sure all fittings are airtight, especially on the suction side of the pump. An air leak on the suction side of the pump will prevent proper operation. A section of non-collapsible hose between piping and pump may be used as a vibration dampener.

BEARING INSTALLATION (PEDESTAL MODELS):

Check the shaft to insure that it rotates freely. Shafts should be aligned in accordance with the instructions of the coupling manufacturer. Final alignment must be performed after the pump has been completely installed and the pump and driver are at operating temperature. Proper shaft alignment is the responsibility of the installer.

The MP CHEMFLO centrifugal pump should be installed with a flooded suction as near to the liquid source as possible. CHEMFLO pumps are not self-priming pumps. If the liquid source is located below the pump a footvalve and some provision for priming must be used. The pump housing and suction line must be fully primed before operation. The mechanical seal in the pump must not be operated dry.

Piping should include shutoff valves on both the discharge and suction to isolate the pump for maintenance. Provisions for suction and discharge pressure gages are recommended for trouble shooting. The suction line should be as short as possible, at least as large as the pump suction connection, include as few fittings as possible and those should be long radius to keep friction losses at a minimum. If a footvalve or strainer is included the free area should be at least three times the area of the pump suction connection. The suction piping must be absolutely free of leaks.

Both suction and discharge piping should be supported independently of the pump. Never use excessive force to move the pipe into place. This may impose a strain that will result in misalignment between the pump and driver or otherwise adversely affect the operation of the pump. After connecting pipe to the pump rotate the shaft several times to check for rubbing or binding.

MOTOR MOUNTING

Check rotation of the driver to be sure it coincides with the required rotation of the pump. When viewed from the driver end the rotation of the pump is CLOCKWISE.

A Pumpak shaft sleeve is machined to precisely fit the shaft of your driver. No provision is made for drive key and none is required.

Loosen the drive clamp fasteners but do not remove. **NOTE:** If the driver shaft is keyed, remove the key before attempting to install the Pumpak. Slide the Pumpak assembly onto the driver shaft, aligning the capscrew holes in the adaptor with the tapped holes in the driver mounting face until the adaptor contacts the mounting face.

Install fasteners and tighten to secure Pumpak assembly to the driver. First center then tighten the drive clamp assembly to lock the shaft sleeve onto the driver shaft.

After all fasteners are tight including the drive clamp assembly, remove the Assembly shim from the suction connection. The shim was in place to establish clearance between the face of the impeller and pump housing. Rotate the driver slowly by hand to make certain that there is no rubbing.

TO ADJUST IMPELLER CLEARANCE:

1. Loosen the impeller drive sleeve
2. Use a tool such as a screwdriver to push the impeller back then reinsert the Assembly Shim.
3. Seal spring tension should push the impeller forward and capture the shim when the screwdriver is removed.
4. Re-tighten the shaft clamp. Remove the shim then re-check for rubbing.

Torque Specifications		
Size	Stainless Steel (ft-lbs)	Steel GR5 (ft-lbs)
5/16-18	10-14	14-20
3/8-16	20-26	26-32
1/2-13	34-42	70-80
1/2-20	40-48	N/A
5/8-18	85-95	N/A

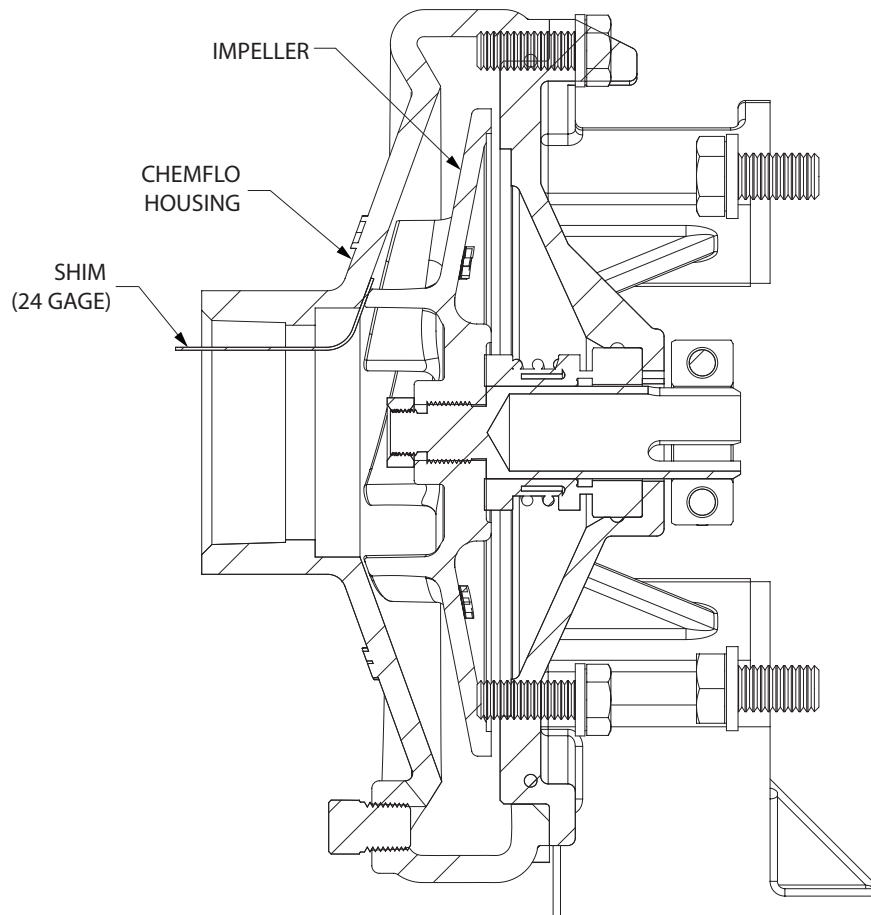
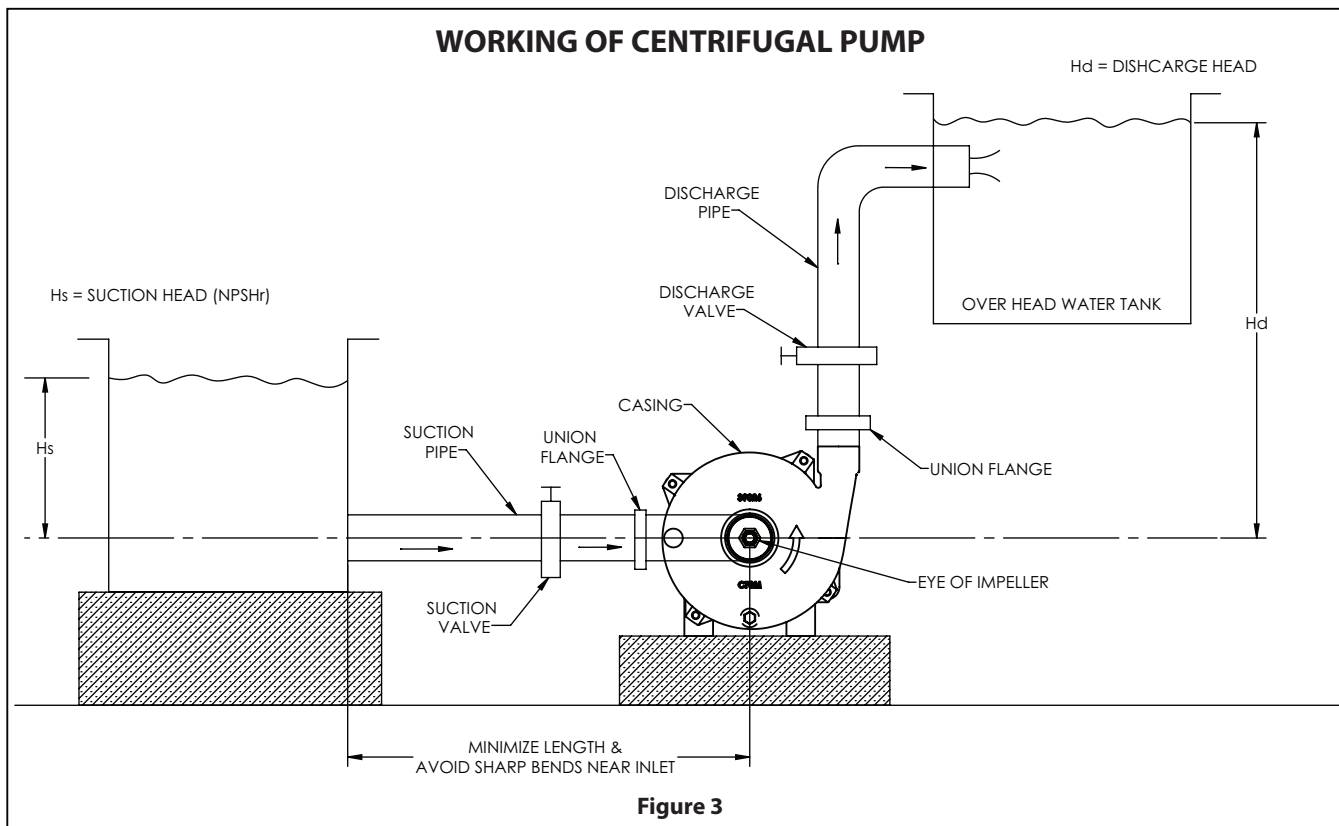


Figure 2



OPERATING INSTRUCTIONS

Inspect the Pumpak as soon as it is received to make certain that no parts are missing or have been broken in shipment. Damage should be reported immediately to the shipping company. **CAUTION: Do not disturb the assembly shim** in the suction opening of the pump housing until after the Pumpak has been completely assembled to the driver. The Pumpak utilizes a single self-adjusting type mechanical seal that is lubricated and cooled by the liquid in the pump. **THE PUMP MUST NEVER BE OPERATED WITHOUT LIQUID IN THE HOUSING.**

WORKING OF CENTRIFUGAL PUMP:

A centrifugal pump operates through the transfer of rotational energy from one or more driven rotors, called impellers. The action of the impeller increases the fluid's velocity and pressure and directs it towards the pump outlet.

WEAR AND INSPECTION POINTS

Shaft: Inspect threads, keyways and shoulders. Replace if damaged.

Ball bearings (Pedestal and hydraulic models): Replace if worn, loose, or rough and noisy when rotated. If dirty, clean with solvent, dry and coat with a good lubricant. New bearings should not be unwrapped until ready for use.

Impellers: Replace if excessively worn or corroded. The impeller should have been statically and dynamically balanced at the factory, and static and dynamic balance must be maintained for proper operation of your equipment.

Mechanical seals: Should be inspected for, lack of lubrication, misalignment, overheating, abrasive materials damage, and corrosion.

Alignment: Proper alignment between pump shaft and motor shaft is key to the performance of shaft seals and bearings. Improper alignment can lead to premature pump failure.

Pedestal Style: Inline shaft to shaft spacing is dependent upon the coupling being used. Check the alignment carefully between the pump and the drive.

SEAL REPLACEMENT INSTRUCTIONS

DISASSEMBLE THE PUMP:

Drain the system of liquid, break suction and discharge pipe unions, and, if necessary, remove all piping from the suction and discharge openings. Remove the fasteners holding the pump adaptor to the driver, loosen the drive clamp assembly, and remove the PUMPAK.

To disassemble, remove the washers and hexnuts holding the motor adaptor to the housing. Remove the housing. The impeller, drive sleeve, seal bellows, and the spring assembly will now slide forward Free of the pump adaptor.

The seal seat and seat cup will remain in the pump adaptor. If not damaged or worn, do not remove. If necessary, remove from the adaptor counter bore with a piece of wood or a screwdriver handle inserted through the adaptor from the drive end. A sharp tap or two is usually sufficient to knock out the seal seat. Use caution in removing the seal seat so as not to crack a ceramic seat.

REMOVE IMPELLER

Remove seal bellows and spring assembly. On some models, spring keeper can also be removed now before removing impeller.

NOTE: The seal bellows will be bonded to the shaft sleeve and will require some patience and caution in removal in order not to damage the seal bellow and cage.

MP Pumps rebuild kits include a new drive sleeve to avoid the possibility of damaging the drive sleeve. See back of manual for list of seal kits and corresponding rebuild kits. Impellers are also available if wear or damage is present.

Remove locknut from shaft; unscrew the impeller from the shaft sleeve counter-clockwise from the impeller end.

INSPECTION:

Check all parts for wear. For ease of reassembly shaft sleeve should have all nicks and burrs removed. Clean with light crocus cloth. Replace damaged parts with new parts.

Inspect the seal seat and washer, seat cup, and seal bellows for grooves, cuts, scuffmarks, or other deterioration. If any of the parts are damaged, a complete new assembly should be installed.

REASSEMBLY:

All dirt and foreign matter should be removed. Recommend only using new seals and elastomers when reassembling a pump.

Lubricate seal seat cup with liquid soap (P-80 emulsifier) or clean grease and press seal seat into adaptor counter bore, seating it firmly and squarely. Use caution so as not to mar the lapped face of the seal seat.

Assemble shaft sleeve; seal spring keeper, impeller and impeller nut. Before installing seal bellows and spring assembly, lubricate the shaft sleeve and rubber bellows with liquid soap (P-80 emulsifier) or clean grease and press bellows and spring assembly onto the shaft sleeve. The spring should engage the spring keeper at the impeller end of the shaft sleeve.

To be properly positioned the washer must be firmly against the rubber bellows member and the driving lugs of the washer properly engaged. The raised shoulder on the seal washer should be facing away from the impeller to contact the lapped surface of the seal seat in the adaptor.

Slide impeller and seal assembly into the adaptor. Install drive

clamp assembly on the shaft sleeve but do not tighten.

INSTRUCTIONS FOR SET SCREW TYPE SEAL:

Do not remove the seal retaining clips. Slide the seal into place on the shaft. The end of the shaft will be recessed approximately $.080" \pm .020"$ from the end of the seal. The proper seal working height is achieved when the seal faces are set flush with the seal clips in place.

With the seal clips still in place tighten the seal fasteners with a ball end allen wrench. It is important that the allen wrench not rest upon the seal housing during tightening as this may affect the position of the seal on the shaft. After the seal fasteners have been tightened the seal clips should be removed and saved.

Do not use the seal shim with setscrew type seal.

For bellows seal install the seal spacer on the backside of the impeller. Use a light grease or similar tacky material. Thread impeller onto shaft. Install jam nut. Place o-ring onto seal plate. Install impeller/bearing housing assembly into pump housing. Install lock washers and hex nuts. Rotate the shaft several times to check for rubbing or binding.

BEARING REPLACEMENT INSTRUCTIONS (PEDESTAL MODELS)

The pump utilizes a single self-adjusting type mechanical seal that is lubricated and cooled by the liquid in the pump.

THE PUMP MUST NEVER BE OPERATED WITHOUT LIQUID IN THE HOUSING.

Check rotation of the driver to be sure it coincides with the required rotation of the pump. When viewed from the driver end the rotation of the pump is CLOCKWISE.

The pump's grease lubricated bearings are sealed. They have been pre-lubricated at the factory and require no further lubrication or maintenance for the life of the bearing. Electric motors or other rotating equipment used to drive the pump should be lubricated in accordance with the manufacturer's instructions.

DISASSEMBLY:

Drain the housing by removing the drain plug. Remove the hex nuts and lock washers from the housing studs. Slide the bearing housing/impeller assembly out of the housing, it may be necessary to rotate the driver shaft out of the way. With the bearing /impeller assembly on a bench secure shaft, unthread impeller nut then unthread impeller. Remove the seal from the shaft. Lift off the seal plate. Place the seal plate face down on the bench and press the seal seat out. Remove the snap ring from the backside of the bearing housing. With a soft mallet, loosen the shaft assembly by tapping the impeller end then slide the bearing assembly from the housing. Press the bearings from the shaft.

ASSEMBLY:

Press bearings onto the shaft. Slide the shaft / bearing assembly into the bearing housing and install the snap ring. Place seal housing face up on bench. Lubricate non-PTFE seal seat with water-soluble lubricant and gently press into seal housing. If pinned seat is used be certain that pin is in place, lined up with groove in seal seat. Place seal housing onto pilot of bearing housing. Lubricate shaft with water-soluble lubricant. Slide seal onto shaft.

PARTS LIST / CHEMFLO 5 CC (145TC, 184TC AND 215TC)

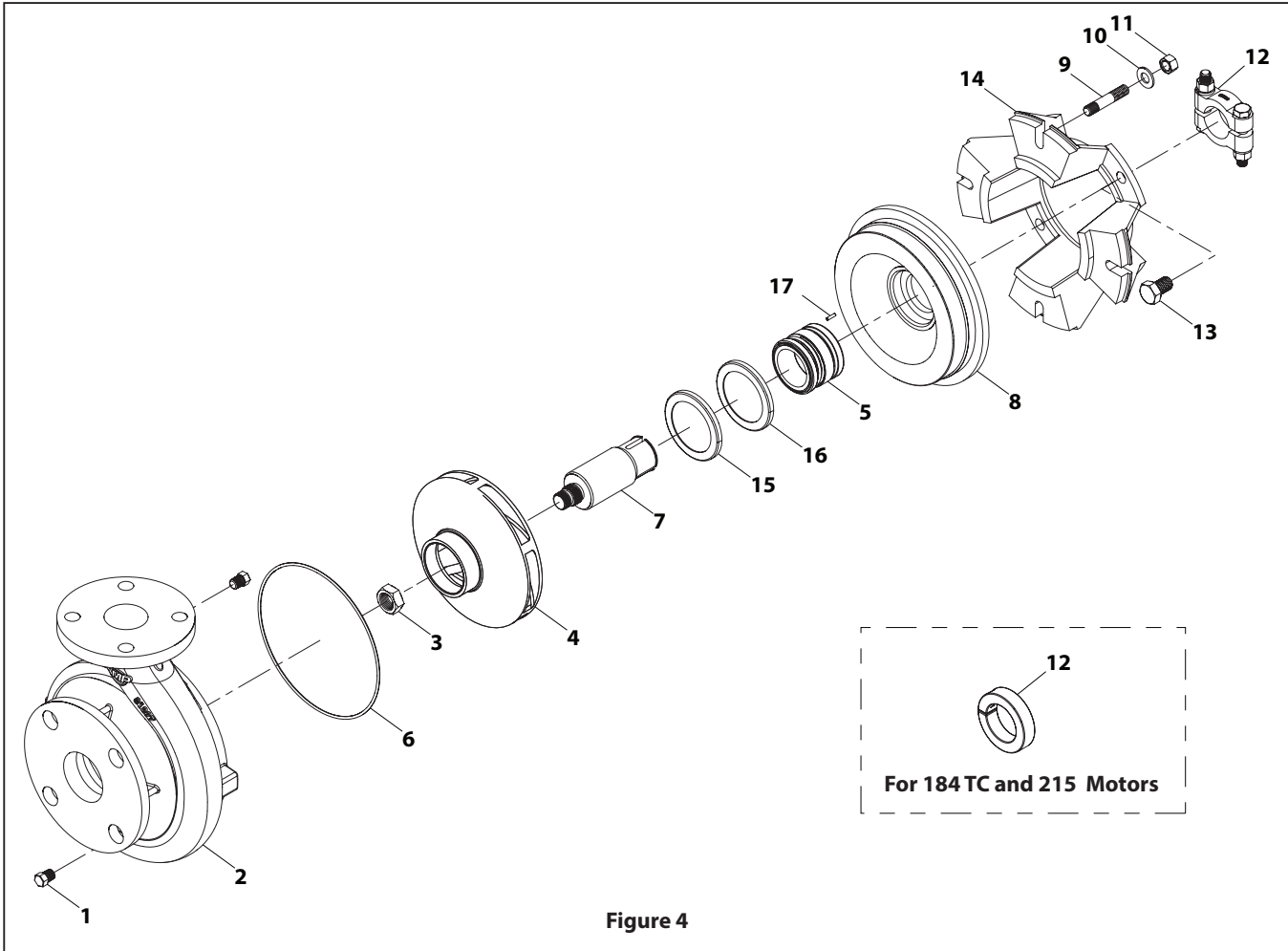


Figure 4

PARTS LIST / CHEMFLO 5 CC (145TC, 184TC AND 215TC)

Item	Description (size)	Qty	Part No.	Mtl
1	Pipe Plug (1/8" NPT)	1	21255	316 SS
2	Volute	1	31098	CF8M SS
3	Hex Jam Nut	1	29194	316 SS
4	Impeller (6.18)	1	31096	CF8M SS
	Impeller (5.10)	1	31668	CF8M SS
	Impeller (5.90)	1	31093	CF8M SS
	Impeller (4.50)	1	31938	CF8M SS
	Impeller (4.75)	1	31461	CF8M SS
	Impeller (5.60)	1	31780	CF8M SS
	Impeller (5.30)	1	31665	CF8M SS
5	See Seal Table for Options (Page No 11)			
6	O-Ring (AS-568-163)	1	31233	VITON
	O-Ring (AS-568-163)	1	33757	EPDM
	O-Ring (AS-568-164)	1	31234	PTFE ENCAPS SIL
7	Drive Sleeve (184TC)	1	31094	316 SS
	Drive Sleeve (215TC)	1	31311	316 SS
	Drive Sleeve (145TC)	1	31806	316 SS
	Drive Sleeve	1	36847	316 SS
8	Housing Seal	1	31093	CF8M SS
	Housing Seal	2	32017	CF8M SS
	Housing Seal	3	31335	CF8M SS

Item	Description (size)	Qty	Part No.	Mtl
9	Cap Screw HH (5/16 - 18 X 7/8)	4	21242	304 SS
	Cap screw (3/8-16 X 3/4)	4	25663	304 SS
	Stud (3/8 - 16 X 1.63)	4	21261	304 SS
	Cap screw HH (3/8 - 16 X 2.25)	4	21269	304 SS
	Stud (3/8 - 16 X 2.00)	4	33161	304 SS
	Cap screw ZPS HH (1/4 - 14 X 0.63 Self Drill Tap)	4	36711	STEEL ZINC
	Cap screw HH (1/2 - 13 X 1.5 GR.5)	4	41276	STEEL GRADE 5
	Cap screw HH (3/8 - 16 X 1 GR.5)	4	41256	STEEL GRADE 5
	Cap screw HH (9/12 - 13 X 1 GR.5)	4	41272	STEEL GRADE 5
	Cap screw SKH (5/16 - 24 X 0.625)	4	50503	316 SS
10	Washer SS Flat (0.81 X 0.38 X 0.06)	4	28053	304 SS
	Lockwasher (3/8 X 1/8)	4	21266	304 SS
	Lockwasher STL (3/8 X 1/8)	4	30626	STEEL GRADE 2
11	Hexnut	4	304 SS	21268
12	Clamp Assembly	1	23039	316 SS
	Clamp	1	31099	12L14 STEEL
	Clamp	1	31312	12L14 STEEL
13	Cap screw HH (1/2 - 13 X 3/4")	4	31235	304 SS
14	Adapter (184TC and 215TC)	1	31091	CAST IRON
	Adapter (145TC)	1	31711	CF8M SS
15	Spring Keeper	1	34196	316 SS
16	Spring Retainer*	1	31372	316 SS
17	Expansion Pin*	1	32013	420SS

* 31372 Spring Retainer, Use Only with Seals 26461, 35914, 35651, 22363 and 28170
 * 32013 Expansion Pin, Use Only with Chemlon Seals

PARTS LIST / CHEMFLO 5 PEDESTAL

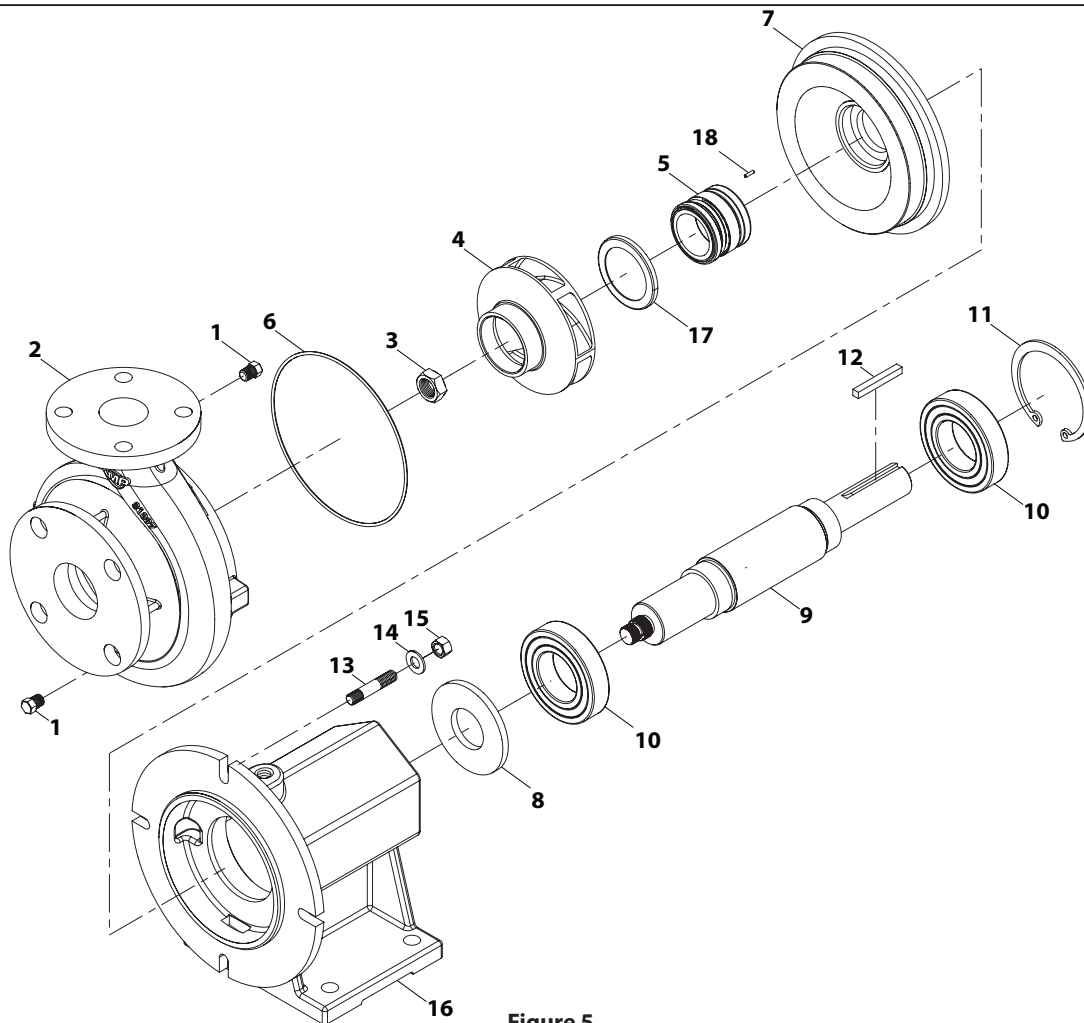


Figure 5

PARTS LIST / CHEMFLO 5 PEDESTAL

Item	Description (size)	Qty	Part No.	Mtl
1	Pipe Plug (1/8" NPT)	1	21255	316 SS
2	Volute	1	31098	CF8M SS
3	Hex Jam Nut	1	29194	316 SS
4	Impeller (6.18)	1	31096	CF8M SS
	Impeller (5.10)	1	31668	CF8M SS
	Impeller (5.90)	1	31093	CF8M SS
	Impeller (4.50)	1	31938	CF8M SS
	Impeller (4.75)	1	31461	CF8M SS
	Impeller (5.60)	1	31780	CF8M SS
	Impeller (5.30)	1	31665	CF8M SS
5	See Seal Table for Options (Page No 11)			
6	O-Ring (AS-568-163)	1	31233	VITON
	O-Ring (AS-568-163)	1	33757	EPDM
	O-Ring (AS-568-164)	1	31234	TEFLON ENCAPS SIL
7	Housing Seal	1	31093	CF8M SS
	Housing Seal	1	32017	CF8M SS
	Housing Seal	1	31335	CF8M SS

Item	Description (size)	Qty	Part No.	Mtl
8	Slinger	1	37881	NEOPRENE RUBBER / BUNA
9	Drive Shaft	1	31802	316 SS
10	Ball Bearing	2	31804	STEEL
11	Snap Ring	1	31803	CARBON SPRING STEEL
12	Square Key	1	33232	STEEL GRADE 2
13	Stud (3/8 - 16 x 2.00)	4	33161	304 SS
14	Washer (SS: Flat 0.81 x 0.38 x 0.06)	4	28053	304 SS
15	Hexnut	4	21268	304 SS
16	Bearing Housing	1	31656	CAST IRON
17	Spring Retainer*	1	31372	316 SS
18	Expansion Pin*	1	32013	420 SS

* 31372 Spring Retainer, Use Only with Seals 26461, 35914, 35651, 22363 and 28170
 * 32013 Expansion Pin, Use Only with Chemlon Seals

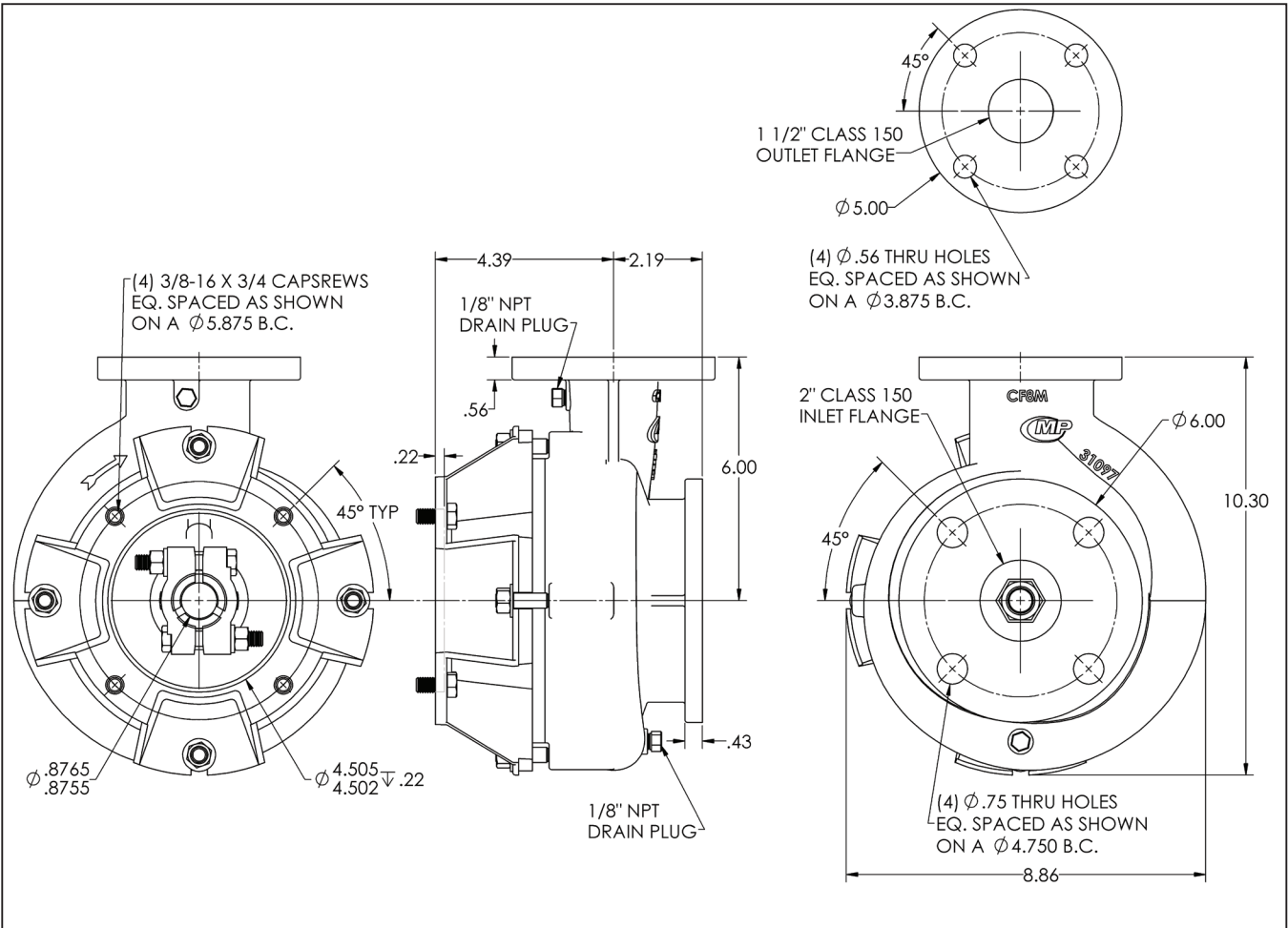
SERVICE KITS

PUMP MODEL	PUMP DESCRIPTION	SEAL KIT	BEARING KIT	IMPELLER
MP36806	CF5PMP SS:10-3 215T 5.9 BCF 34489	#N/A	MP51282	MP31903
MP50056	CF5PMP SS:10-3 215TC 5.6 SSC SF	MP51279	#N/A	MP31780
MP33003	CF5PMP SS:10-3 215TC 5.6 T-2100	MP51277	#N/A	MP31780
MP31904	CF5PMP SS:10-3 215TC 5.9 T-2100	MP51277	#N/A	MP31903
MP39744	CF5PMP SS:10-3 215TC 575V 5.6 T-2100	MP51277	#N/A	MP31780
MP31460	CF5PMP SS:10-3 215TC 6.18 T-2100	MP51277	#N/A	MP31096
MP38699	CF5PMP SS:3-3 182TC 1750 6.18	MP51278	#N/A	MP31096
MP38572	CF5PMP SS:3-3 182TC 1750 6.18 BALDOR	MP51278	#N/A	MP31096
MP34550	CF5PMP SS:5-1 184TC 4.75 T-2100 W/TAP	MP51278	#N/A	MP31461
MP34481	CF5PMP SS:5-3 184TC 4.5 T-2100	MP51278	#N/A	MP31938
MP34619	CF5PMP SS:5-3 184TC 4.75 T-2100	MP51278	#N/A	MP31461
MP31779	CF5PMP SS:5-3 184TC 5.1 T-2100	MP51278	#N/A	MP31668
MP38431	CF5PMP SS:5-3 184TC 5.10 575V T-2100	MP51278	#N/A	MP31668
MP38109	CF5PMP SS:5-3 184TC 575V 4.5 T-2100	MP51278	#N/A	MP31938
MP39859	CF5PMP SS:5-3 184TC 60/503HP 4.5 T-2100	MP51278	#N/A	MP31938
MP37259	CF5PMP SS:7.5-3 184TC 5.1 T-2100	MP51278	#N/A	MP31668
MP34892	CF5PMP SS:7.5-3 184TC 5.3 T-2100	MP51278	#N/A	MP31665
MP31781	CF5PMP SS:7.5-3 184TC 50/60Hz 5.6 T-2100	MP51278	#N/A	MP31780
MP35935	CF5PMP SS:7.5-3 184TC 575V 5.1 T-2100	MP51278	#N/A	MP31668
MP36909	CF5PMP SS:7.5-3 184TC XP 5.3 T-2100	MP51278	#N/A	MP31665
MP37940	CF5PMP SS:PED 4.5 T-2 CSC-EP	#N/A	MP51282	MP31938
MP37005	CF5PMP SS:PED 4.5 T-2100 MURRAY	#N/A	MP51282	MP31938
MP33758	CF5PMP SS:PED 4.5 T-9	#N/A	MP51282	MP31938
MP35915	CF5PMP SS:PED 4.75 CCS/EP	#N/A	MP51282	MP31461
MP33187	CF5PMP SS:PED 4.75 T-2100	#N/A	MP51282	MP31461
MP33667	CF5PMP SS:PED 4.75 T-9	#N/A	MP51282	MP31461
MP39476	CF5PMP SS:PED 5.1 CCS/EP	#N/A	MP51282	MP31668
MP34346	CF5PMP SS:PED 5.1 T-2100	#N/A	MP51282	MP31668
MP36808	CF5PMP SS:PED 5.1 T-2100	#N/A	MP51282	MP31668
MP50884	CF5PMP SS:PED 5.3 T-2100	#N/A	MP51282	MP31665
MP50284	CF5PMP SS:PED 5.6 SSC	#N/A	MP51282	MP31780
MP33014	CF5PMP SS:PED 5.6 T-2100	#N/A	MP51282	MP31780
MP38633	CF5PMP SS:PED 5.9 T-2 STC SF	#N/A	MP51282	MP31903
MP34489	CF5PMP SS:PED 5.9 T-2100	#N/A	MP51282	MP31903
MP36772	CF5PMP SS:PED 6.18 CCS/EP	#N/A	MP51282	MP31096
MP35555	CF5PMP SS:PED 6.18 T-2 STC	#N/A	MP51282	MP31096
MP31990	CF5PMP SS:PED 6.18 T-2100	#N/A	MP51282	MP31096
MP34883	CF5PMP SS:PED 6.18 T-9	#N/A	MP51282	MP31096
MP34571	CF5PPK SS:184TC 4.5 T-2100	MP51278	#N/A	MP31938
MP31462	CF5PPK SS:184TC 4.75 T-2100	MP51278	#N/A	MP31461
MP39187	CF5PPK SS:184TC 5.02 T-2100	MP51278	#N/A	MP39186
MP31669	CF5PPK SS:184TC 5.1 T-2100	MP51278	#N/A	MP31668
MP31931	CF5PPK SS:184TC 5.6 T-2100	MP51278	#N/A	MP31780
MP35616	CF5PPK SS:184TC 5.9 T-2100	MP51278	#N/A	MP31903
MP31383	CF5PPK SS:184TC 6.18 T-2100	MP51278	#N/A	MP31096
MP38120	CF5PPK SS:215TC 4.75 T-2100	MP51277	#N/A	MP31461
MP34675	CF5PPK SS:215TC 5.1 T-2100	MP51277	#N/A	MP31668
MP31666	CF5PPK SS:215TC 5.3 T-2100	MP51277	#N/A	MP31665
MP50090	CF5PPK SS:215TC 5.6 SSC	MP51279	#N/A	MP31780
MP51067	CF5PPK SS:215TC 5.6 SSC W/TAP	MP51279	#N/A	MP31780
MP33753	CF5PPK SS:215TC 5.6 T-2100	MP51277	#N/A	MP31780
MP31928	CF5PPK SS:215TC 5.9 T-2100	MP51277	#N/A	MP31903
MP31236	CF5PPK SS:215TC 6.18 T-2100	MP51277	#N/A	MP31096

SEAL TYPE OPTIONS

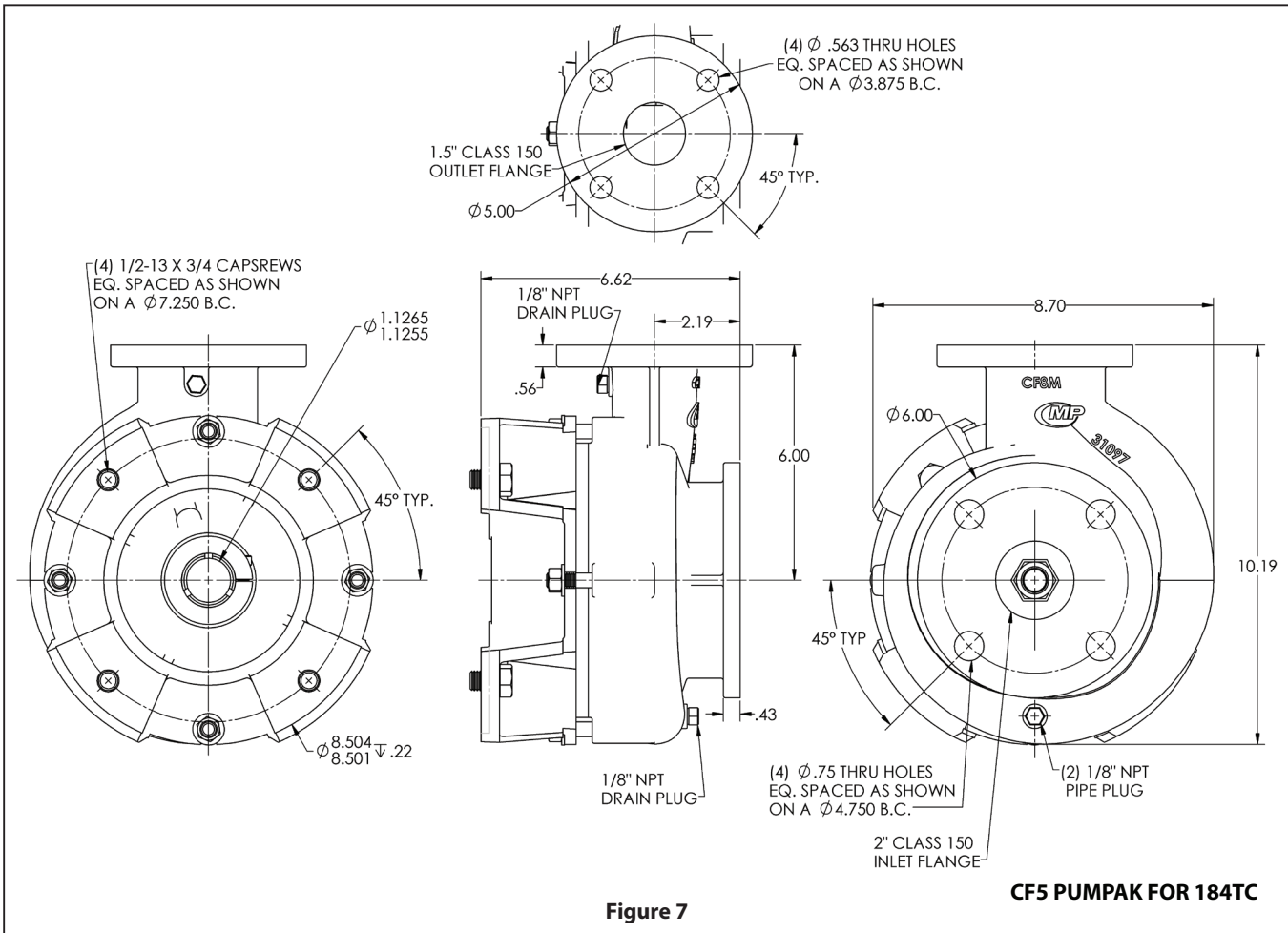
Seal PN	Seal Type	Shaft Dia.	Mating Ring	Material		
				Primary Ring	Elastomer	Components
31374	2100	1.5" (38.1 mm)	Ceramic	Carbon	Viton	316 SS
26461	52	1.5" (38.1 mm)	Silicon Carbide	Silicon Carbide	Viton	316 SS
31347	2	1.5" (38.1 mm)	Tungsten Carbide	Silicon Carbide	Viton	316 SS
35801	2	1.5" (38.1 mm)	Silicon Carbide	Carbon	EPDM	316 SS
26565	9	1.5" (38.1 mm)	Ceramic	Carbon	Chemlon	316 SS
35651	2	1.5" (38.1 mm)	Silicon Carbide	Carbon	Viton	316 SS
35914	21	1.5" (38.1 mm)	Ceramic	Carbon	EPDM	316 SS
22363	21	1.5" (38.1 mm)	NI-Resist	Carbon	Viton	316 SS

DIMENSIONAL DATA



CF5 PUMPAK FOR 145TC

Figure 6



CF5 PUMPAK FOR 184TC

Figure 7

DIMENSIONAL DATA

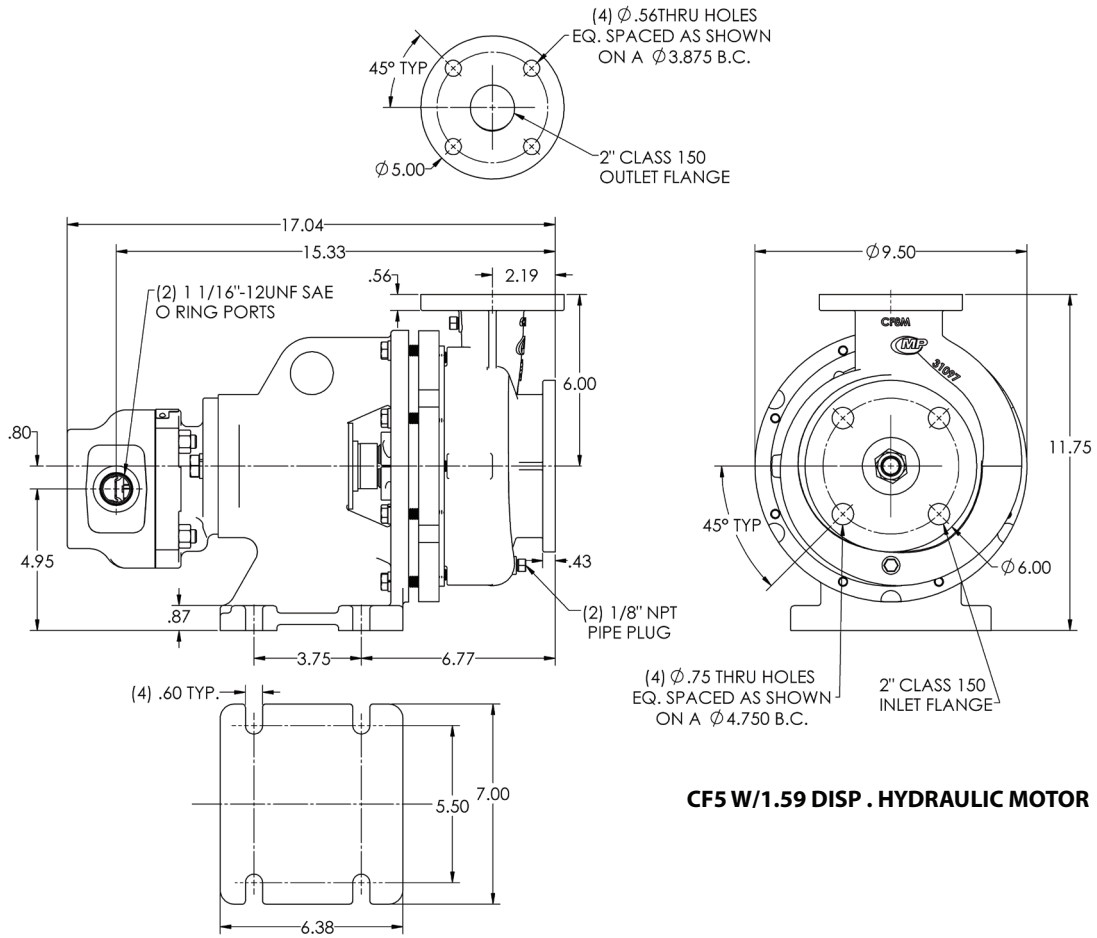


Figure 10

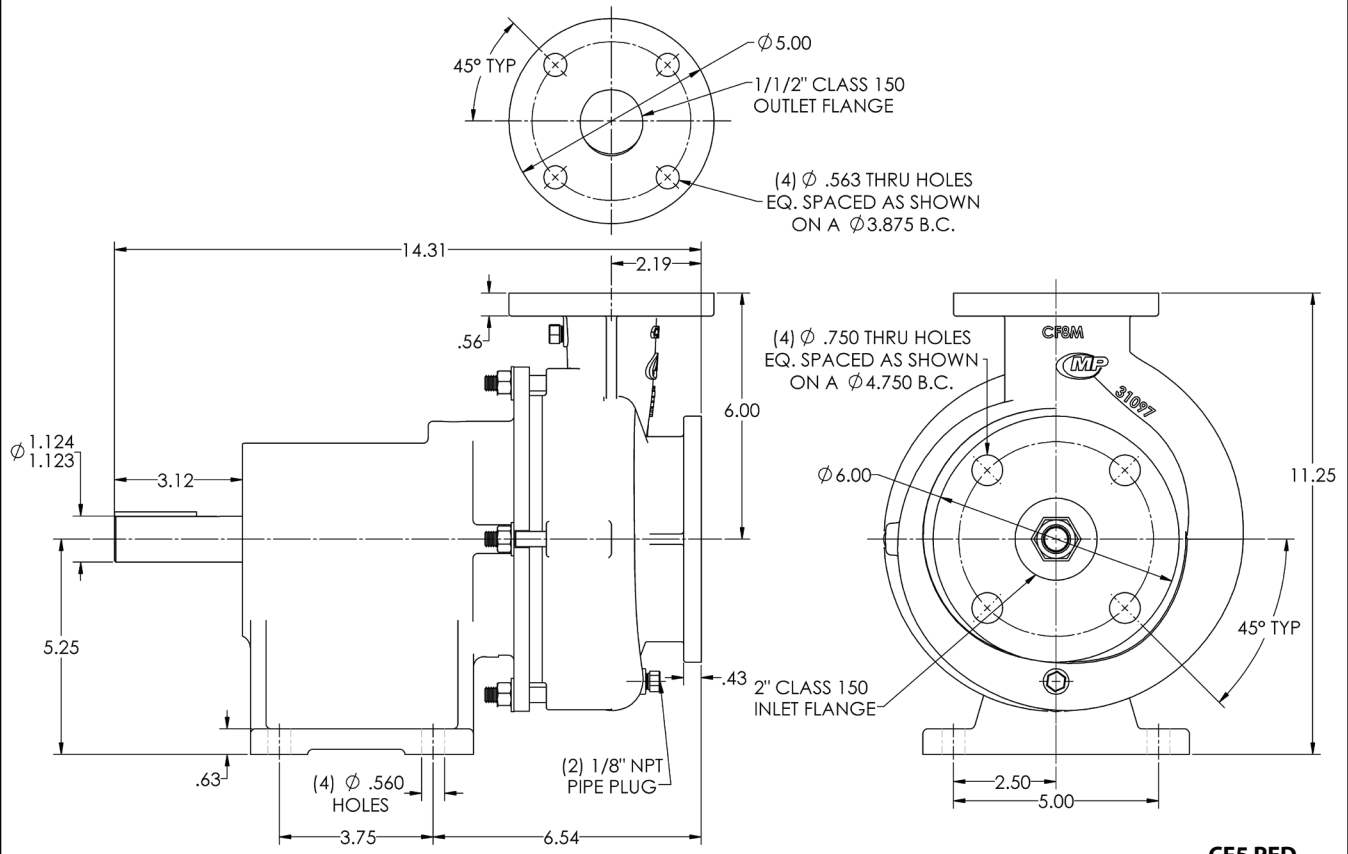


Figure 11

TROUBLESHOOTING

PROBLEM	PROBABLE CAUSE	REMEDY
No liquid delivered.	1. Pump not primed.	1. Reprime pump, check that pump and there are no obstructions in the suction line.
	2. Discharge valve closed	2. Check discharge valve.
	3. Suction line clogged.	3. Remove obstructions.
	4. Wrong direction of rotation.	4. Change rotation to concur with direction indicated on bearing housing or pump casing.
	5. Total head is too high	5. Re-evaluate head conditions.
	6. Driver is not operating at rated speed.	6. Check electric motor voltage; check engine rpm
	7. Pump is vapor bound	7. Provide additional pressure on liquid being pumped by elevating liquid source.
	8. Foot valve or suction pipe opening not submerged enough	8. Consult factory for proper depth. Use baffle to eliminate vortices.
Pump not producing rated flow or head.	1. Air leak through gasket.	1. Replace gasket.
	2. Air leak through stuffing box.	2. Replace or adjust packing/mechanical seal.
	3. Impeller partly clogged.	3. Back flush pump to clean impeller.
	4. Worn suction side plate or wear rings.	4. Replace defective parts as required.
	5. Pump is not properly primed.	5. Reprime pump, check that pump and there are no obstructions in the suction line. Check NPSHa to ensure that there is enough liquid for pump operation.
	6. Driver is not operating at rated speed.	6. Check electric motor voltage; check engine rpm
	7. Pump is vapor bound	7. Provide additional pressure on liquid being pumped by elevating liquid source. or consider installing an air release valve in the discharge line to remove the air to allow the pump to become dynamic.
	8. Insufficient suction head.	8. Ensure that suction line shutoff valve is fully open and line is unobstructed.
	9. Worn or broken impeller.	9. Inspect and replace if necessary.
Pump starts then stops pumping.	1. Excessive air in liquid.	1. Clean and tighten all suction connections; relocate suction inlet in liquid source.
	2. Defective packing or seal.	2. Replace packing or seal.
	3. Pump is vapor bound.	3. Provide additional pressure on liquid being pumped by elevating liquid source. or consider installing an air release valve in the discharge line to remove the air to allow the pump to become dynamic.
	4. Air or vapor pockets in suction line.	4. Rearrange piping to eliminate air pockets.
	5. Air leak in suction line.	5. Repair leak.
Bearings run hot.	1. Improper alignment.	1. Re-align pump and drive.
	2. Improper lubrication.	2. Check lubricate for suitability and level.
	3. Lube cooling.	3. Check cooling system

PROBLEM	PROBABLE CAUSE	REMEDY
Pump is noisy or vibrates.	1. Improper pump/driver alignment.	1. Align shafts.
	2. Partly clogged impeller causing imbalance.	2. Back-flush pump to clean impeller.
	3. Broken or bent impeller or shaft.	3. Replace as required.
	4. Foundation not rigid.	4. Tighten bolts of pump and motor or adjust stilts
	5. Worn bearings.	5. Replace.
	6. Suction or discharge piping not anchored or properly supported.	6. Anchor per Hydraulic Institute Standards Manual recommendation.
	7. Pump is cavitating.	7. Check NPSHa, Air leaks to ensure that there is enough liquid for pump operation.
Excessive leakage from stuffing box/seal chamber.	1. Worn mechanical seals.	1. Replace worn parts.
	2. Overheating mechanical seal.	2. Check lubrication and cooling lines.
	3. Shaft sleeve scored.	3. Remachine or replace as required
Motor requires excessive power.	1. Head lower than rating; pumps too much liquid.	1. Consult factory. Install throttle valve, trim impeller diameter.
	2. Speed is too high.	2. Electric motor wiring is wrong. Replace motor.
	3. Wrong direction of rotation.	3. Check wiring diagram.
	4. Impeller is clogged.	4. Back flush pump to clean impeller.
	5. Impeller is binding.	5. Relieve strain on casing; adjust impeller clearance.
	6. Driver and pump are misaligned.	6. Realign driver with pump.
	7. Power frame shaft is bent.	7. Replace shaft.
	8. Worn suction side plate or wear rings.	8. Replace defective parts as required.
	9. Liquid heavier than expected.	9. Check specific gravity and viscosity.
	10. Stuffing box too tight.	10. Readjust packing. Replace if worn.
	11. Rotating parts bind.	11. Check internal wearing parts for proper clearances
Pump fails to prime or loses its prime.	1. Air leaks in suction line.	1. Clean and tighten all suction connections; relocate suction inlet in liquid source.
	2. Suction strainer is clogged. Suction lift is too high.	2. Clean debris from strainer. Re-evaluate pump requirements and correct suction conditions.
	3. Defective priming valve.	3. Replace valve.
	4. Defective seal.	4. Replace seal.
Insufficient pressure.	1. Excessive air in liquid.	1. Clean and tighten all suction connections; relocate suction inlet in liquid source.
	2. Driver is not operating at rated speed.	2. Check electric motor voltage; check engine rpm
	3. Wrong direction of rotation.	3. Change rotation to concur with direction indicated on bearing housing or pump casing.
	4. Total head is too high.	4. Re-evaluate head conditions.
	5. Worn suction side plate or wear rings.	5. Replace defective parts as required.
	6. Broken or bent impeller or shaft.	6. Replace as required.
	7. Air leak through gasket.	7. Replace gasket.
	8. Liquid is vaporizing	8. Provide additional pressure on liquid being pumped by elevating liquid source. Check temperature of liquid being pumped'